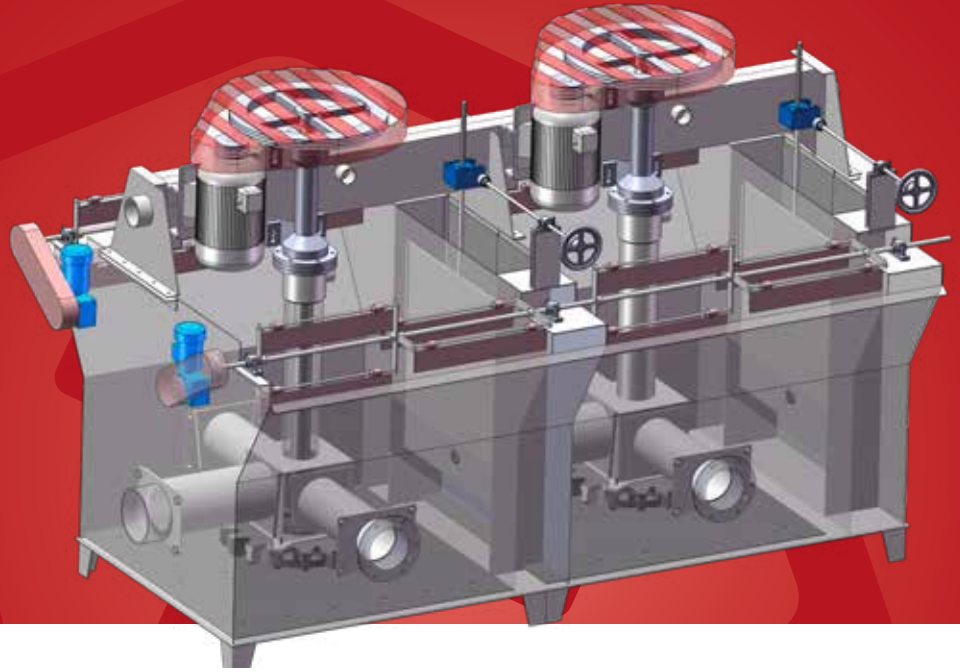


# SUB-A CELLS

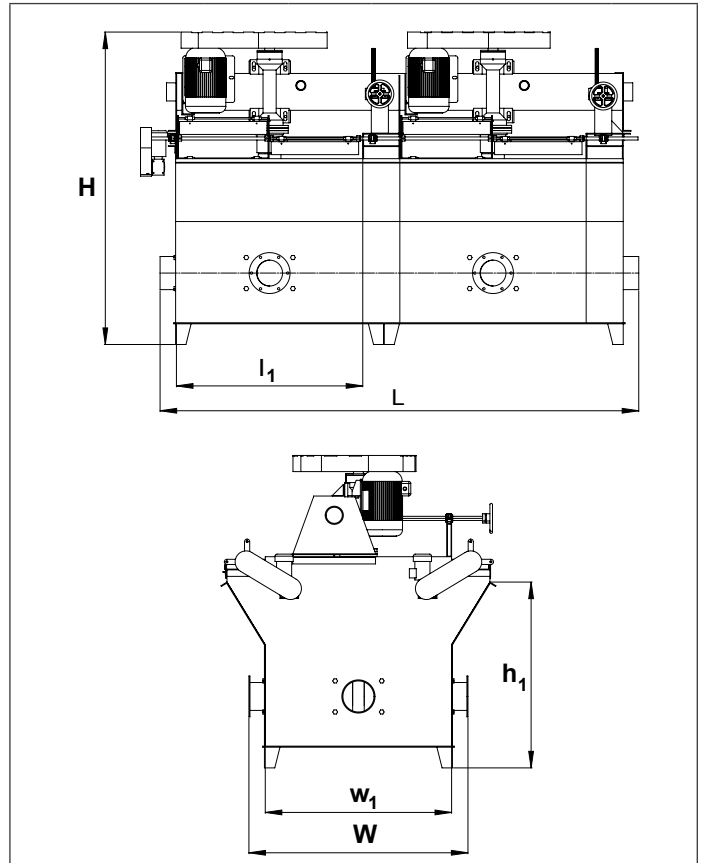


SUB-A type flotation cells, acknowledged as a classic worldwide, have been manufactured by Tüfekçioğlu for more than a half century.

Pulp level adjustment plates between the cells prevent back flow and enable control of the pulp level in each cell. These cells aspirate air required for flotation by themselves. They can also be operated with forced air when desired.

## SPECIFICATIONS

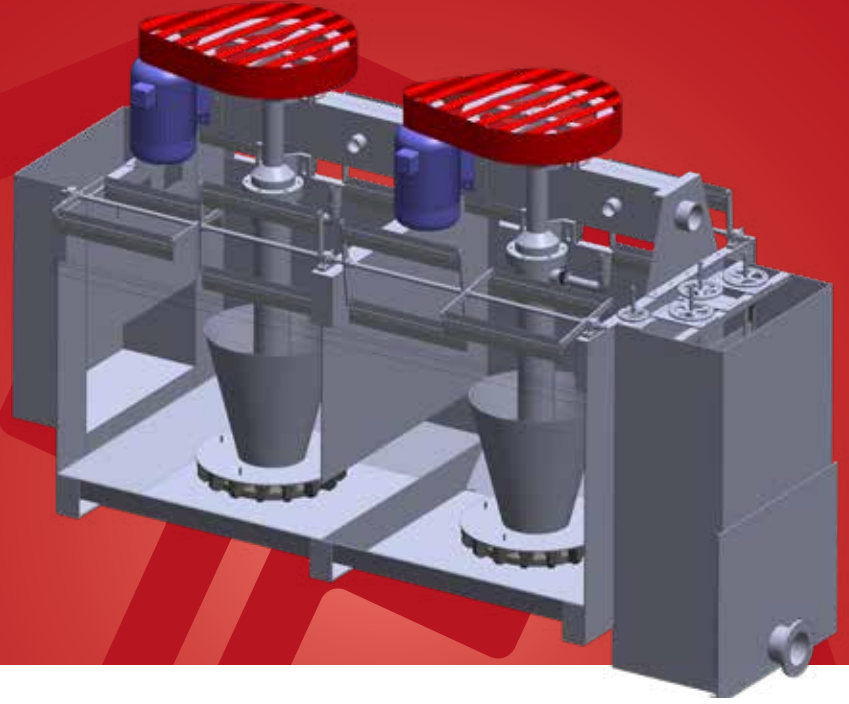
- Convenient for harsh working conditions
- Optional single or double froth skimmers
- Easy maintenance and easy replacement of worn-out parts
- Wear resistant rubber lined impeller and stator
- Optional rubber lining of all surfaces in touch with the pulp
- Prompt supply of high-quality spare parts at a reasonable cost



SUB-A				
	Motor (kW)	Motor Speed (rpm)	Motor (quantity)	Weight (kg)
0,35m <sup>3</sup> (Single Cell)	4	1000	1	550
0,35m <sup>3</sup> (Twin Cell)	4	1000	1	900
0,7m <sup>3</sup> "	7,5	1000	1	1500
1,0m <sup>3</sup> "	7,5	1000	1	1700
1,4m <sup>3</sup> "	11	1000	1	2100
2,8m <sup>3</sup> "	11	1000	2	3500
5,6m <sup>3</sup> "	18,5	1000	2	5100

SUB-A						
	H	L	W	h <sub>1</sub>	l <sub>1</sub>	w <sub>1</sub>
0,35m <sup>3</sup> (Single Cell)	1470	940	730	875	620	620
0,35m <sup>3</sup> (Twin Cell)	1470	1720	730	875	620	620
0,7m <sup>3</sup> "	2200	2225	930	1145	820	820
1,0m <sup>3</sup> "	2280	2565	1080	1220	970	970
1,4m <sup>3</sup> "	2350	2580	1225	1250	1100	1100
2,8m <sup>3</sup> "	2605	3575	1655	1490	1440	1440
5,6m <sup>3</sup> "	2995	4625	2115	1795	1800	1800

# DR CELLS



DR cells, developed after SUB-A cells, are open-flow type (the pulp flows freely from cell to cell through an opening at the bottom of the cell), with a bucket shaped container over the impellers of each cell that enables proper mixing. They are used especially in the flotation of finely ground base metal ores and lower density industrial raw materials with relatively larger sizes and coal.

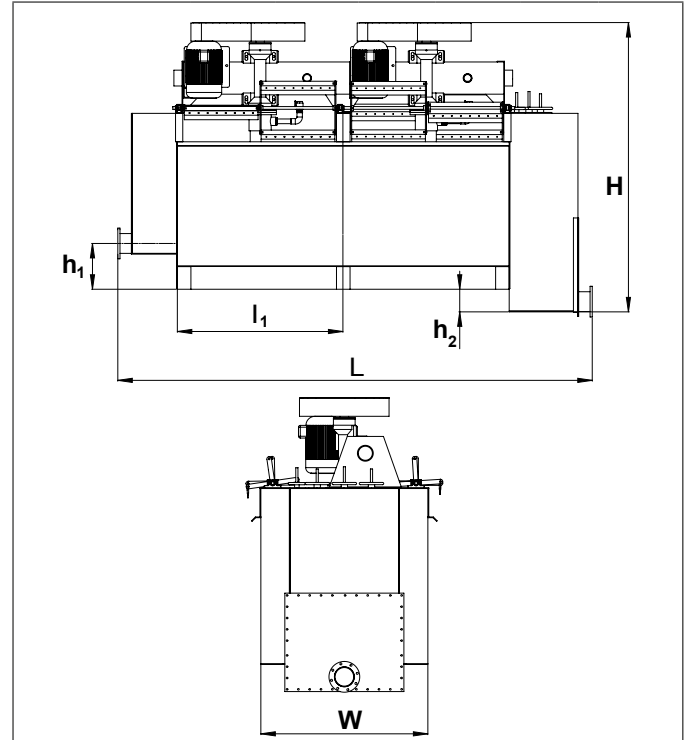
## SPECIFICATIONS

- Convenient for harsh working conditions
- Optional single or double froth skimmers
- Easy maintenance and easy replacement of worn-out parts
- Wear resistant rubber lined impeller and stator
- Optional rubber lining of all surfaces in touch with the pulp
- Prompt supply of high-quality spare parts at a reasonable cost



### DR CELLS

	Motor (kW)	Motor Speed (rpm)	Motor (quantity)	Weight (kg)
1,4m <sup>3</sup>	11	1000	1	2400
2,8m <sup>3</sup>	11	1000	2	3800
5,0m <sup>3</sup>	18,5	1000	2	5300



### DR CELLS

	H	L	W	h <sub>1</sub>	h <sub>2</sub>	l <sub>1</sub>
1,4m <sup>3</sup>	2285	5430	1100	548	-	1100
2,8m <sup>3</sup>	2560	4290	1485	665	-	1550
5,0m <sup>3</sup>	3200	5245	1830	506	250	1830